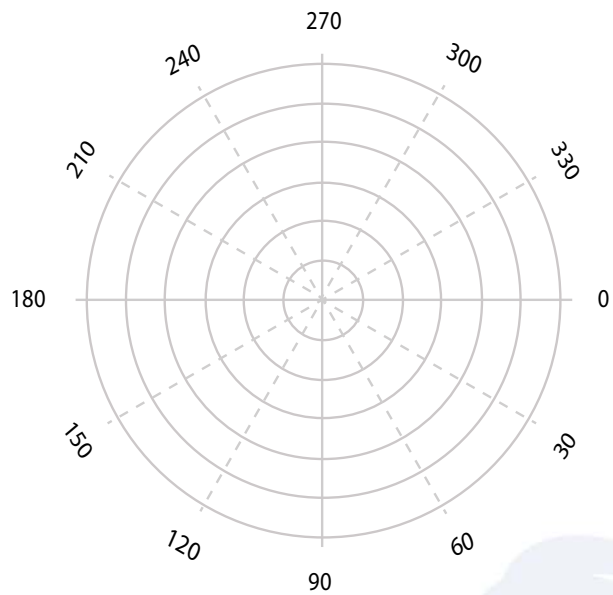
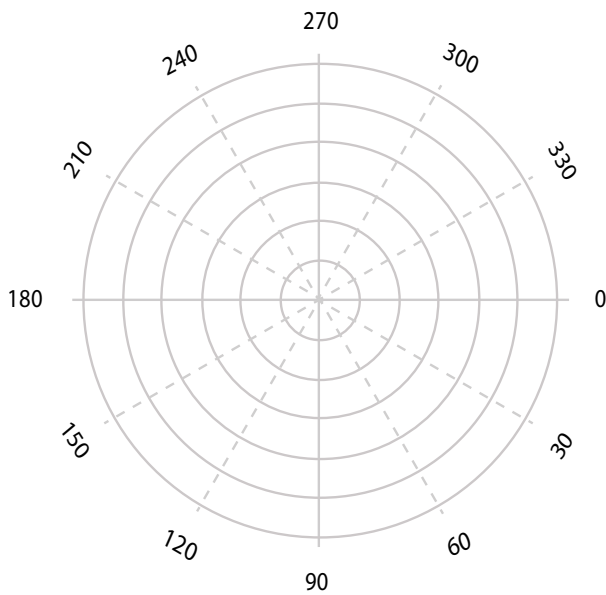
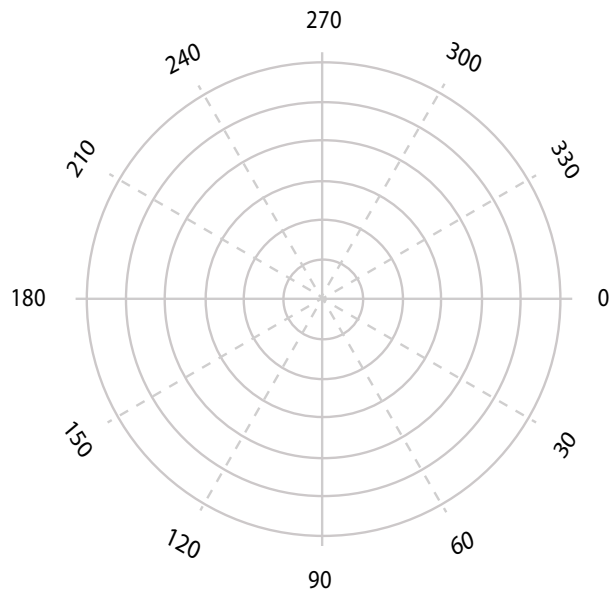
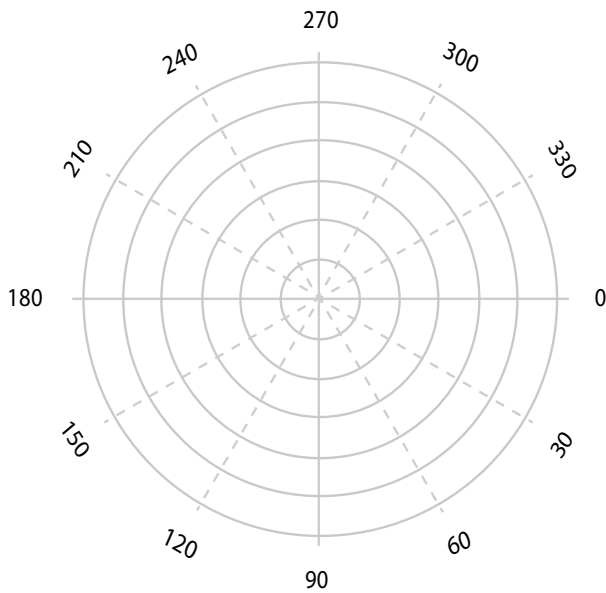


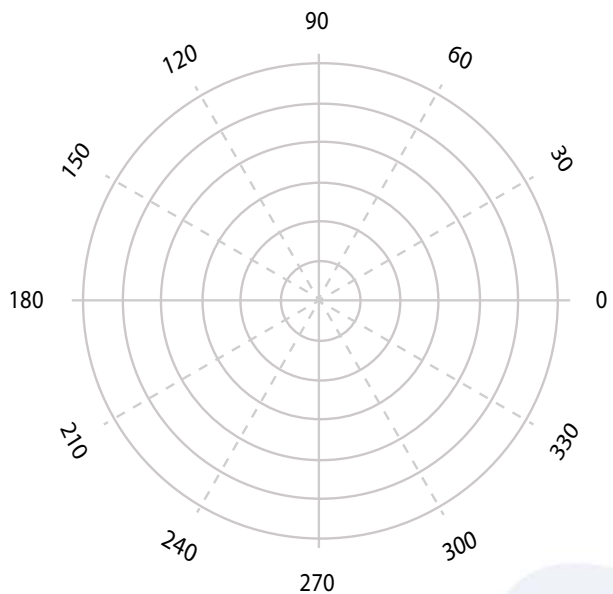
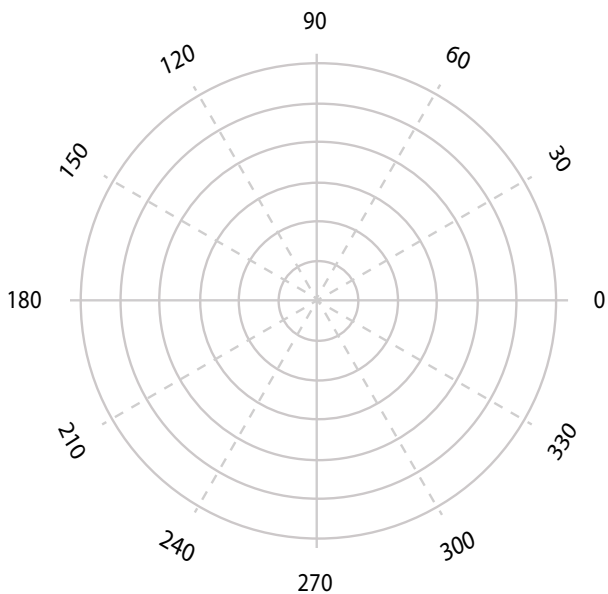
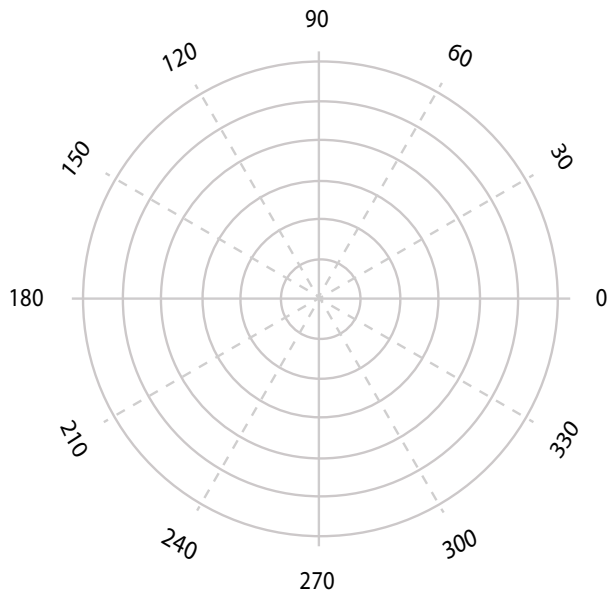
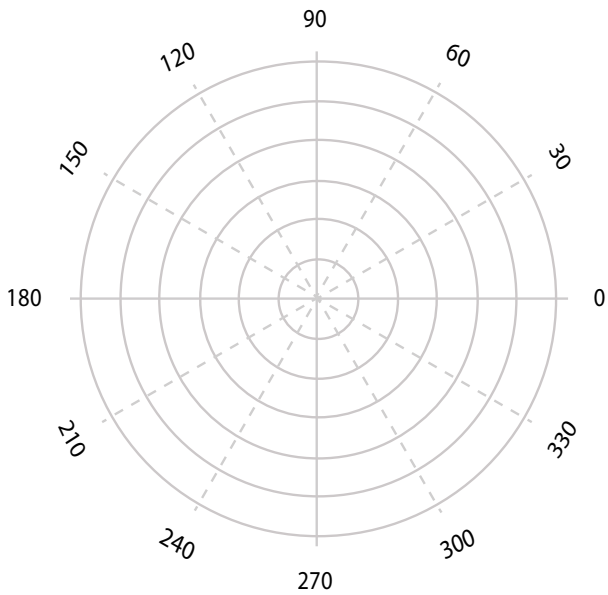
Phasor Diagrams using the Lagging Angle System

(Used by Megger test-sets, Enoserv/RTS software, and GE SR relays)



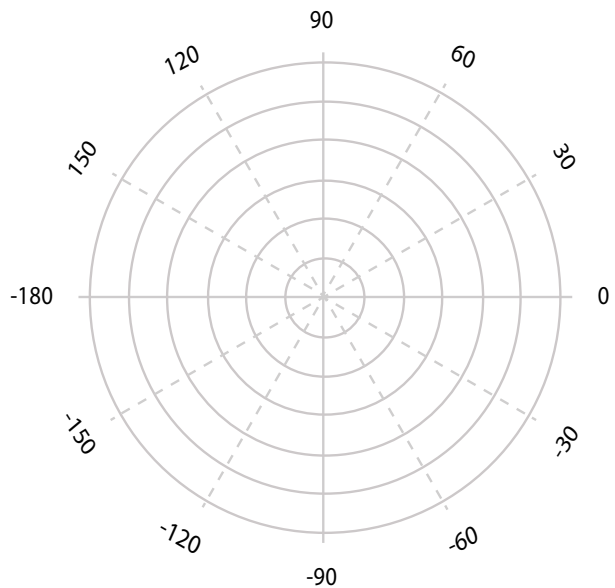
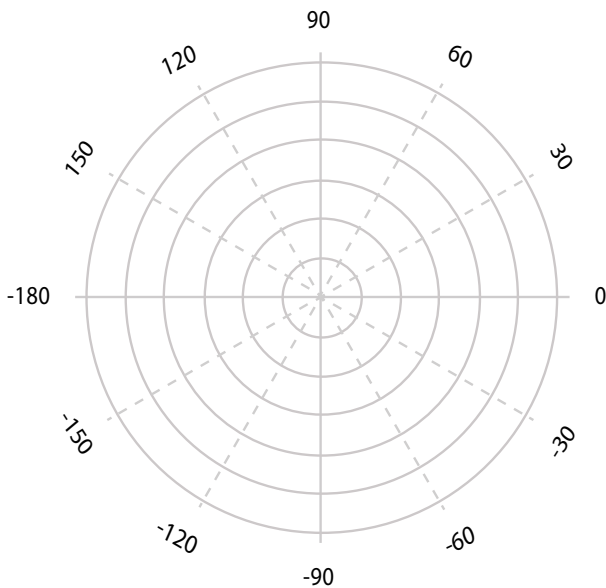
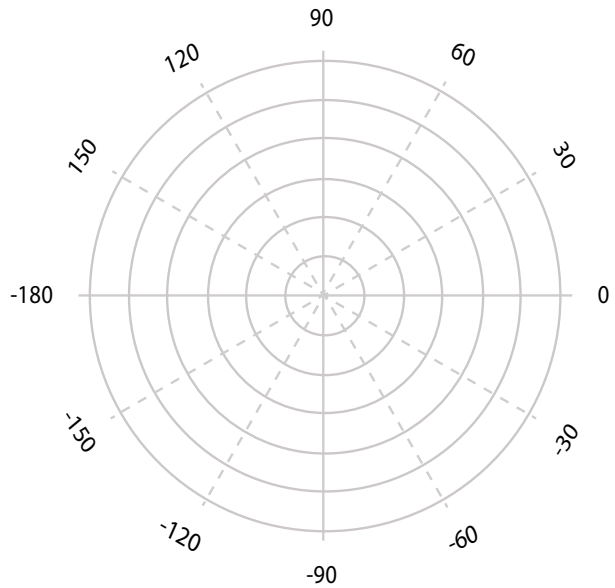
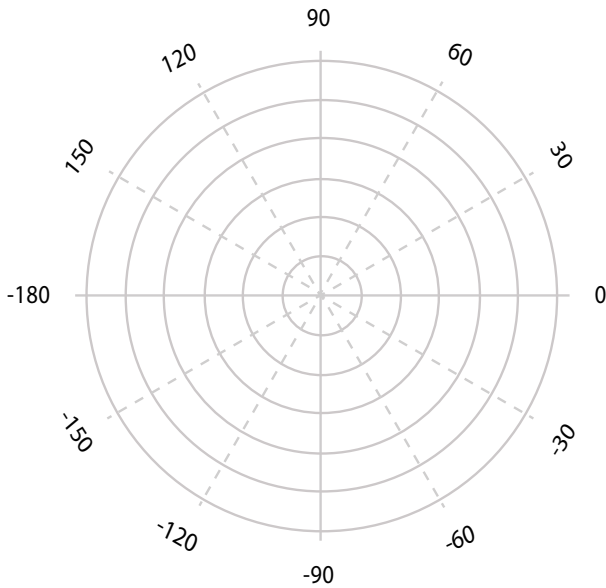
Phasor Diagrams using the Positive Angle System

(Used by Doble and Manta test-sets)



Phasor Diagrams using the Negative Angle System

(Used by GE UR relays like the D60, T60, or G30)



Phasor Diagrams using the Combined Angle System (Used by SEL relays and Omicron test-sets)

